

UT UNITRUCK LTD

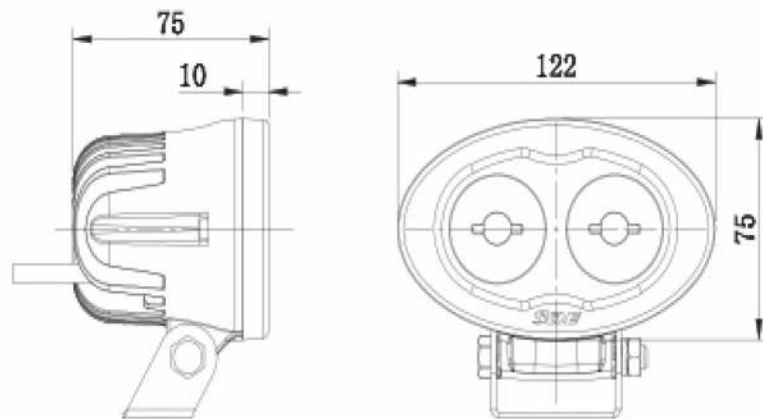
CE



5503



5502



5501

Materials:

- Die cast aluminum alloy (ADC12) heat-sink
- Efficient polycarbonate(PC) lens refractors
- Lexan polycarbonate(PC) front cover
- Silicone cable
- Anodized polyester powdercoat

Protected Against:

- Reverse polarity
- Shock proof, waterproof and UV shielded
- RFI/EMC interference
- Voltage and current surge

Operating conditions:

- 9-36V DC input (available the other range)
9-48V for the Blue LED version
- Environment temperature -40~+60 ° C

Features:

- Thermal management regulation
- 50,000+ Hours life span
- 2 year warranty
- Spot or flood optical system
- Instant on/off

*Based on LED manufacturer Specifications

Model	Beam type	LEDs	Power (watts)	Waterproof	AMP Draw (12V/24V)	Raw Lumens*	Certificate	Beam Distance (0.25lux@m)	Peak Beam Intensity(cd)
5503	Spot	x 10W Cree	19.45	IP68	1.4/0.74	1800	CE	304	23125
5502	Flood	x 10W Cree	19.45	IP68	1.4/0.74	1800	CE	116	3375
5501	Spot	x 3W Cree	4.98	IP68	0.414/0.208	750	CE	180	8100