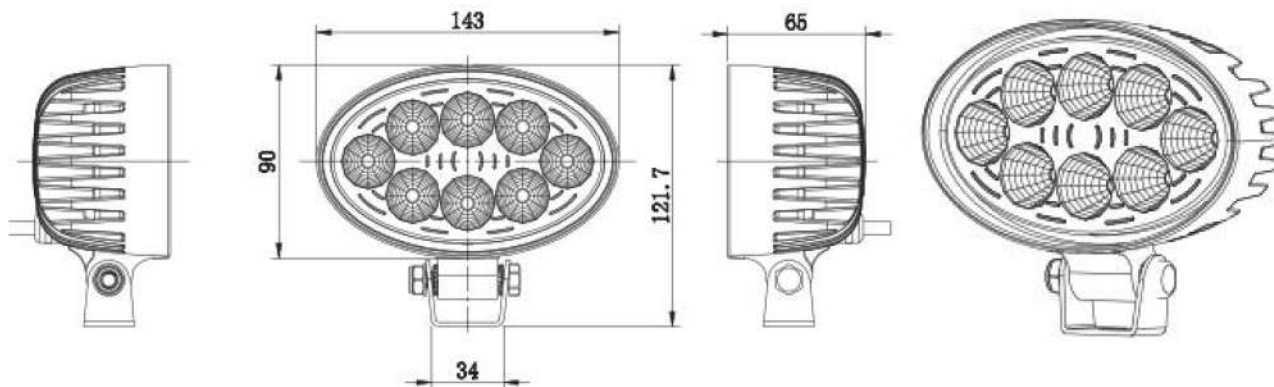


# UT UNITRUCK LTD

CE



Materials:

- Die cast aluminum alloy (ADC12) heat-sink
- Efficient polycarbonate(PC) lens refractors
- PMMA front cover
- Silicone cable
- Anodized polyester powdercoat

Protected Against:

- Reverse polarity
- Shock proof,waterproof and UV shielded
- RFI/EMC interference
- Voltage and current surge

Operating conditions:

- 9-36V DC input (available the other range)
- Environment temperature -40~+60 °C

Features:

- Thermal management regulation
- 50,000+ Hours life span
- 2 year warranty
- Flood optical system
- Instant on/off

\*Based on LED manufacturer Specifications

Model	Beam type	LEDs	Power (watts)	Waterproof	AMP Draw (12V/24V)	Raw Lumens*	Certificate	Beam Distance (0.25lux@m)	Peak Beam Intensity(cd)
5507	Flood	8 x 3W Epistar	24	IP68	1.75/0.8	1289	CE	113	2500