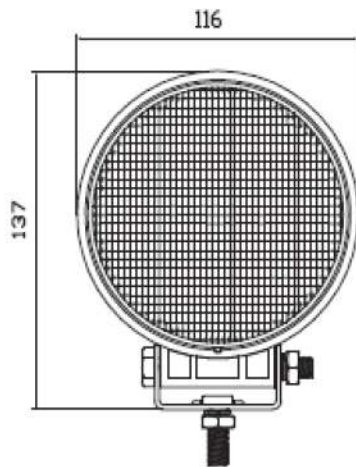


UT UNITRUCK LTD

CE



Materials:

- Die cast aluminum alloy (ADC12) heat-sink
- Polycarbonate Lens
- PMMA front cover
- Silicone cable
- Powder Coat Finish

Protected Against:

- Reverse polarity
- Shock proof,waterproof
- RFI/EMC interference
- Voltage and current surge

Operating conditions:

- 10-30V DC input (available the other range)
- Environment temperature -40~+60 ° C

Features:

- 30,000+ Hours life span
- 1 year warranty
- Flood and spot optical system
- Instant on/off

*Based on LED manufacturer Specifications

Model	Beam type	LEDs	Power (watts)	Waterproof	AMP Draw (12V/24V)	Raw Lumens*	Certificate	Beam Distance (0.25lux@m)	Peak Beam Intensity(cd)
5520	Flood	6 x 3W Epistar	18	IP68	1.125/0.6	950	CE	62	950
5520A	Spot	6 x 3W Epistar	18	IP68	1.125/0.6	950	CE	85	1800